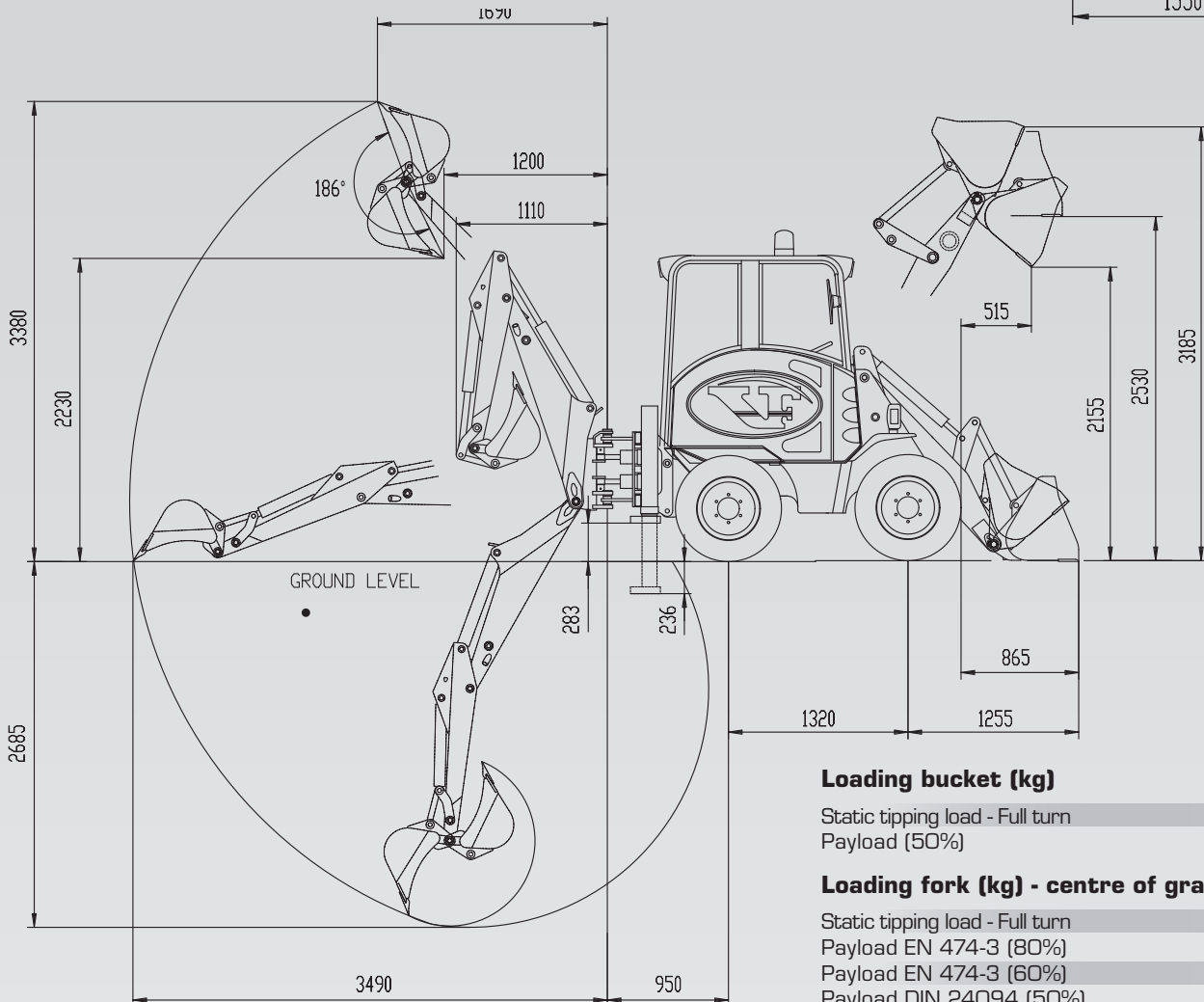
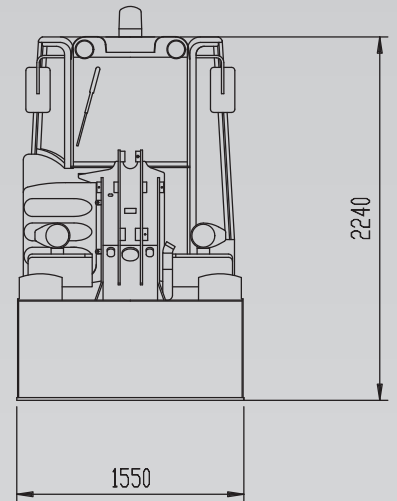
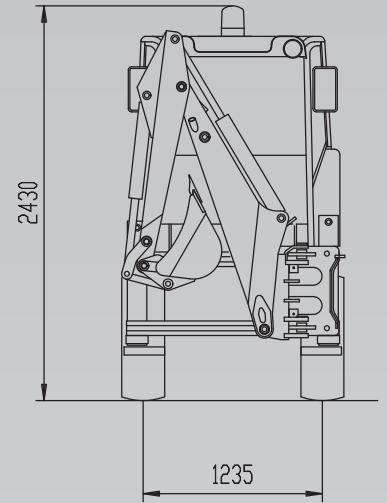
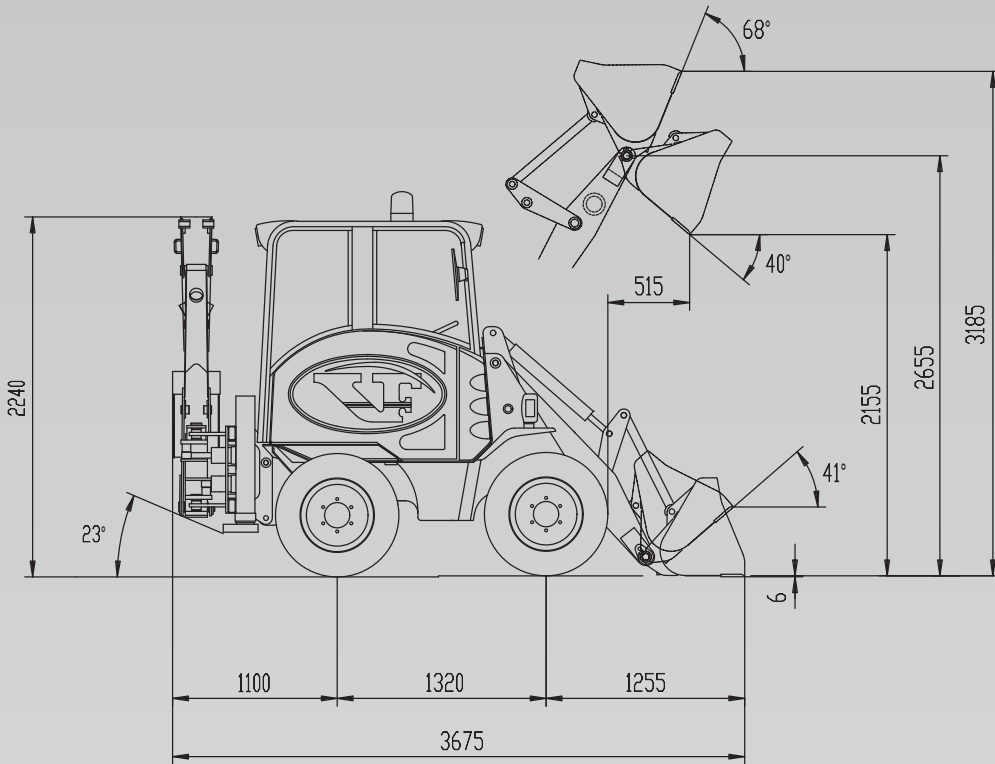




1.33C

4WS MINI LOADER
MINI BACKHOE LOADER

PRELIMINARY



Loading bucket (kg)

Static tipping load - Full turn	2.000
Payload (50%)	1.000

Loading fork (kg) - centre of gravity 500 mm

Static tipping load - Full turn	1.500
Payload EN 474-3 (80%)	1.200
Payload EN 474-3 (60%)	900
Payload DIN 24094 (50%)	750

DIESEL ENGINE

3 cylinder in line engine, turbocharged, common-rail injection with electronic control, exhaust gas recirculation EGR, water cooled, dry filtration, diesel oxidation catalyst (DOC), diesel particulate filter (DPF).

Emissioned according to CE 97/68 - Stage V/Tier 4f.

Type	Kubota D1803-CR-T	
Max. power	39 kW - 53 HP	
Rated	rpm 2.700	
Rated Power Gross SAE J1995	37 kW - 50 HP	
Rated Power Net SAE J1349	35,3 kW - 47 HP	
Max. torque	Nm 150,5	
Bore	mm 87	
Stroke	mm 102,4	
Displacement	cm ³ 1.826	

ELECTRIC SYSTEM

Battery	12 Volt
Capacity EN 60095-1	80 Ah - 770 A
Alternator rating	60 A
Starter motor	2.0 kW
Reverse warning	Standard
Wiring according to	IP 67 DIN 40050

TRANSMISSION

Hydrostatic transmission with automatic power regulation and closed circuit with variable - displacement pump and motor. Two forward/reverse speeds with single-lever electric control.

	forward	reverse
1 st gear km/h	0÷8	0÷8
2 st gear km/h	0÷20	0÷20

AXLES

Designed for heavy duties, all wheel-drive.
Automatic self-locking differentials.
Planetary final drives in each wheel.
Front axle: steering and oscillating up to a total angle of 15°.
Rear axle: steering and fixed to the frame

BRAKES

Service: disk brake hydraulically operating on front axle, working on all wheels.
Parking brake: mechanical drum brake operating on service brake, manually actuated.

TYRES

Standard	10.0/75 x 15.3
Option	12 - 16,5

STEERING

Servo-assisted through hydraulic LOAD SENSING steering units.

Inner tyres turning radius.....	mm 685
External tyres turning radius	mm 2.120
External bucket turning radius	mm 2.690

HYDRAULIC SYSTEM

LOAD SENSING gear pump with priority valve for the steering circuit, the second for the hydraulic fan.
Modular three-element control valve for the loader, modular six-element control valve for the backhoe.
Double acting hydraulic cylinders. Hydraulic oil cooling radiator.
Full-flow oil filter on the drain pipe.
Single cloche-lever arm control with 4-position lifting system and 3 position bucket system.

Max. flow	lt/1'	54
Loader relief valve pressure	bar	210
Steering relief valve pressure	bar	140
Lift cylinder	mm	90x455
Bucket cylinder	mm	65x500

SERVICE CAPACITIES

Engine	lt	7
Front differential + Drop box.....	lt	2,8
Rear differential.....	lt	2
Planetary gear	lt	0,2
Hydraulic circuit.....	lt	55
Brake circuit	lt	0,3
Fuel	lt	45
Water cooling	lt	11

TECHNICAL FEATURES

Loader

Standard bucket capacity	m ³	0,45
Bucket width	mm	1.550
Breakout force	kg	2.300

Backhoe loader

Type.....	VF	2.75
Standard bucket capacity	lt	45
Standard bucket width	mm	300
Dipper stick max. penetration capacity	kg	1.400
Max. breakout force on the bucket tip	kg	2.600
Hydraulic lifting capacity on the bucket pin up	kg	700
Rotation.....		180°
A - Max digging depth	mm	2.750
(Telescopic/optional).....	mm	3.250
B - Standard digging depth	mm	2.600
(Telescopic/optional).....	mm	3.100

DIMENSIONS AND WEIGHT

Max. lenght in transfer (loader)	mm	3.460
Max. lenght in transfer (backhoe loader)	mm	3.810
Max. width in transfer position	mm	1.550
Width across tyre.....	mm	1.500
Tracks width	mm	1.235
Ground clearance.....	mm	270
Standard weight in running order (loader)	kg	2.950
Standard weight in running order (backhoe loader)	kg	3.100
Max. weight in running order	kg	3.400



VENIERI

Via Piratello, 106 - 48022 Lugo (RA) ITALY
Tel. +39 0545 904411 Fax +39 0545 30389
e-mail: info@vf-venieri.com www.vf-venieri.com
Spare Parts
Tel. +39 0545 904429 Fax +39 0545 24555

The illustrations on the present folder do not necessarily show the product standard version. Data and dimensions described in this folder are not binding. Venieri reserves the right of carrying out possible changes at any time and without previous notice because of its policy of steady development and improvement